



1

ELEMENTS

MAT NUM

U

ROT

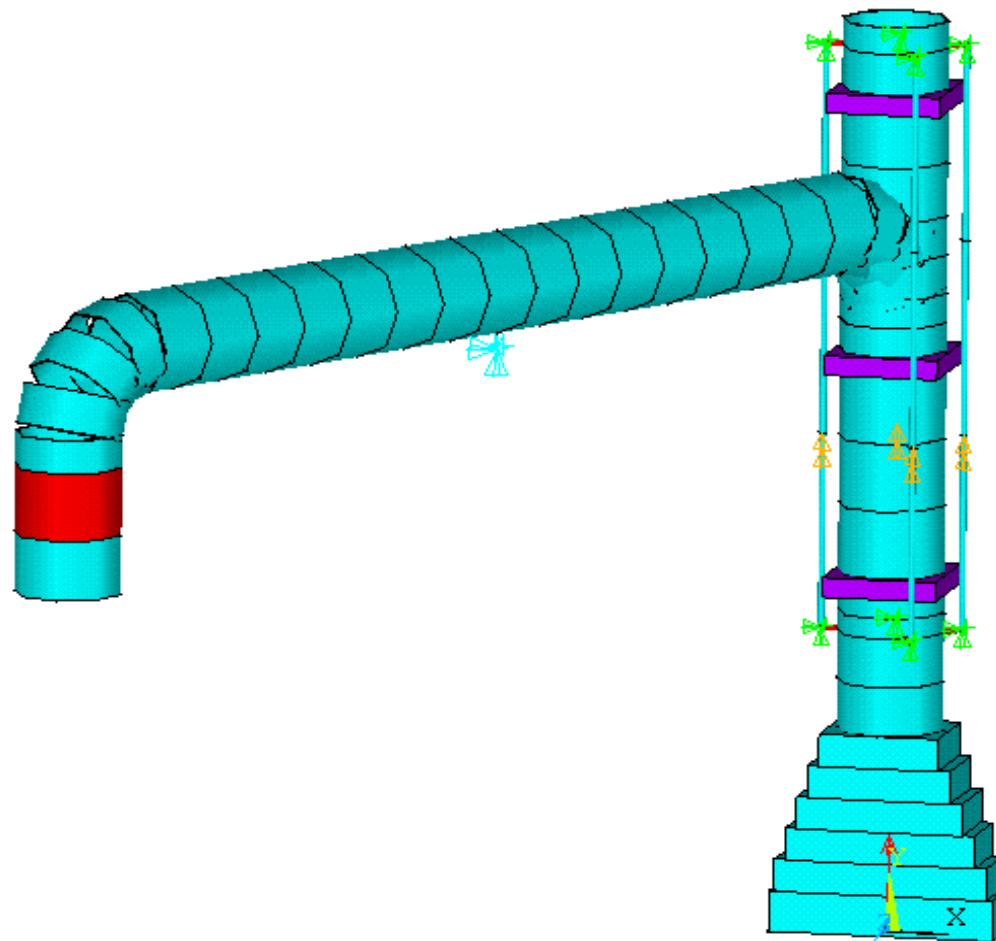
CP

ACEL

ANSYS

NOV 15 2007

13:06:53



EXHAUST PIPE PRIMARY

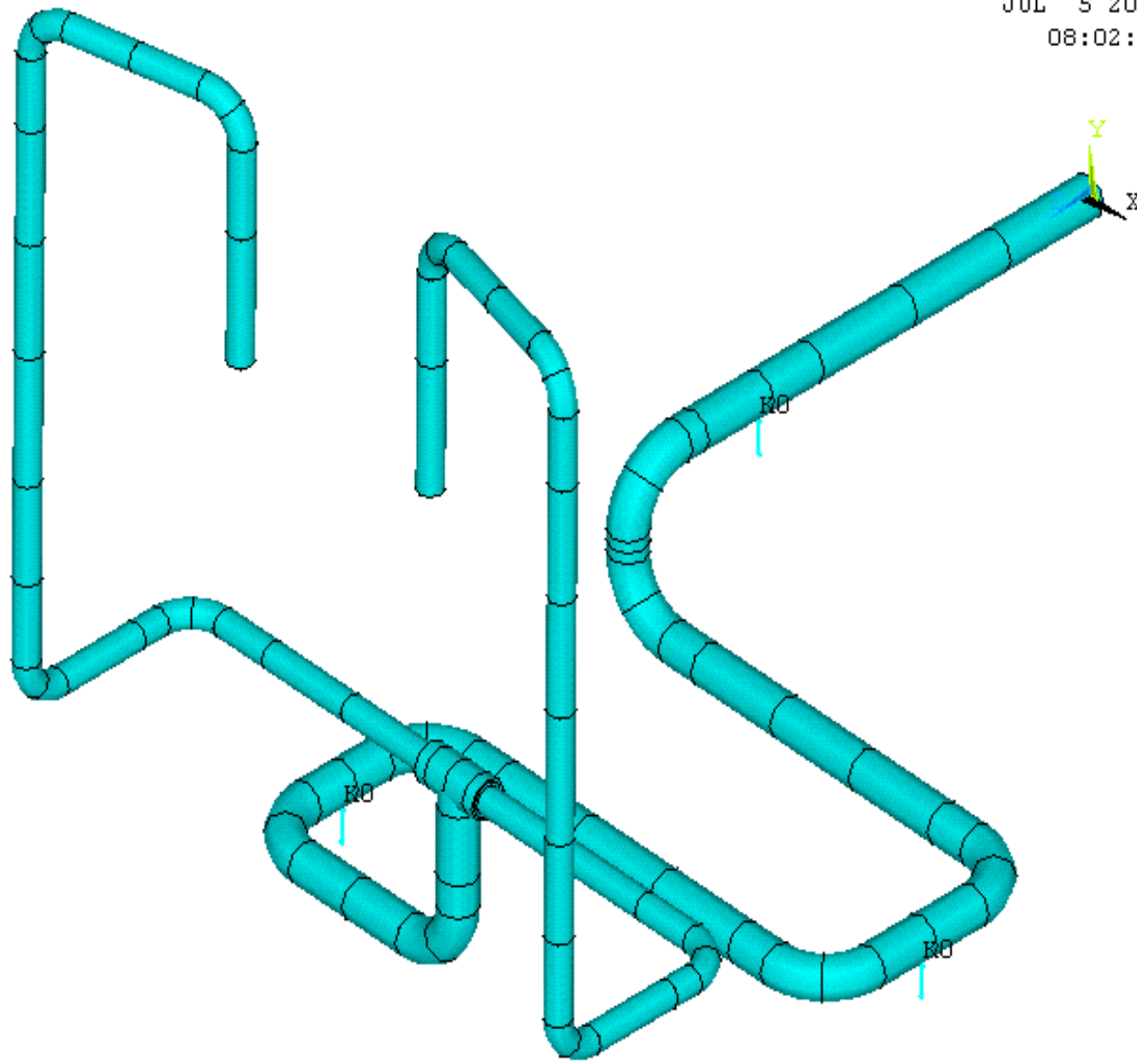
1

ELEMENTS

ANSYS

JUL 5 2007

08:02:37



1

NODAL SOLUTION

STEP=1

SUB =1

TIME=1

USUM (AVG)

RSYS=0

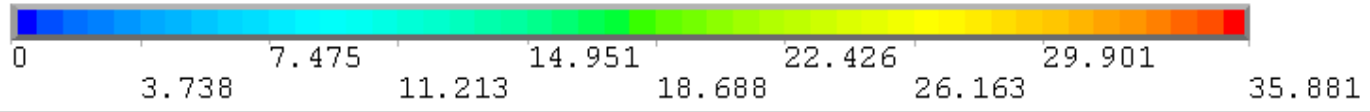
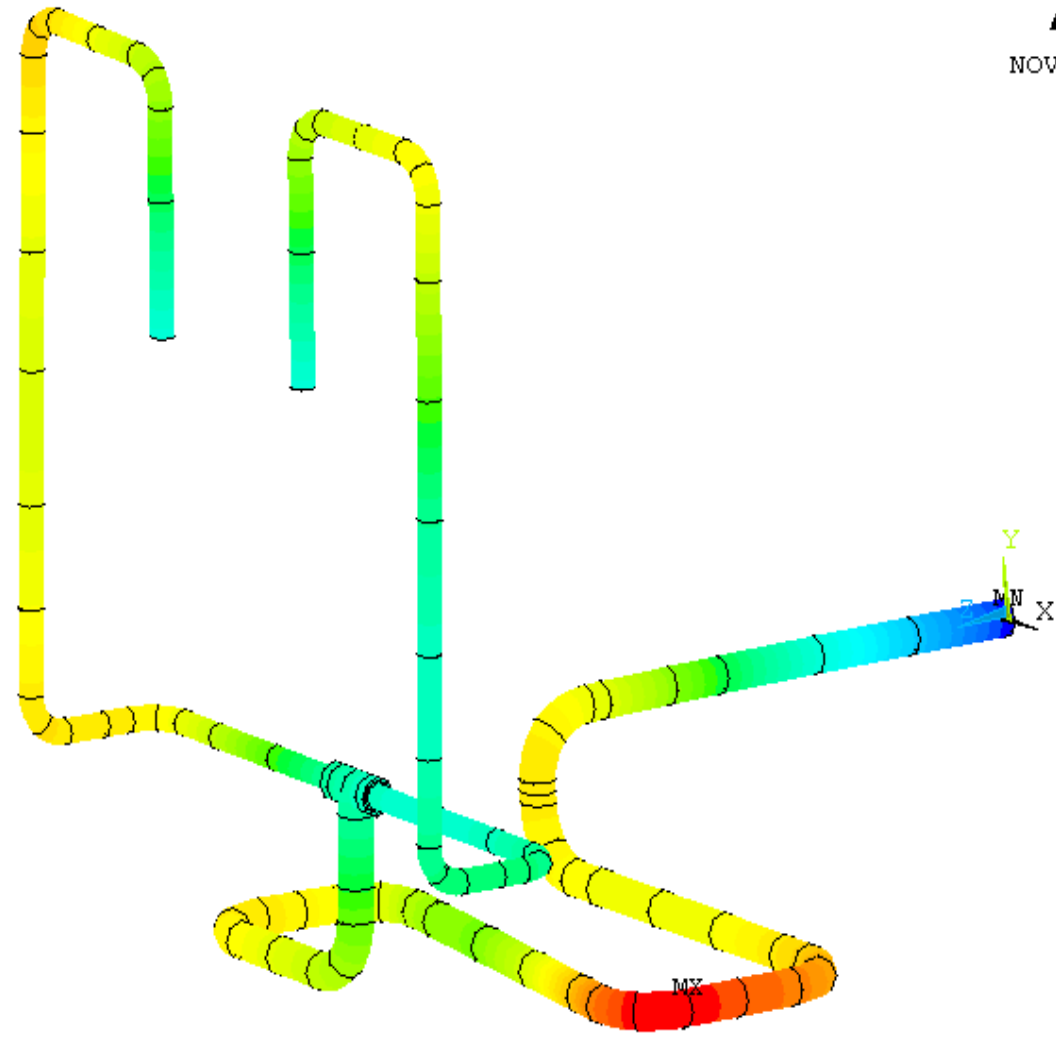
DMX =35.881

SMX =35.881

ANSYS

NOV 15 2007

13:22:32



1

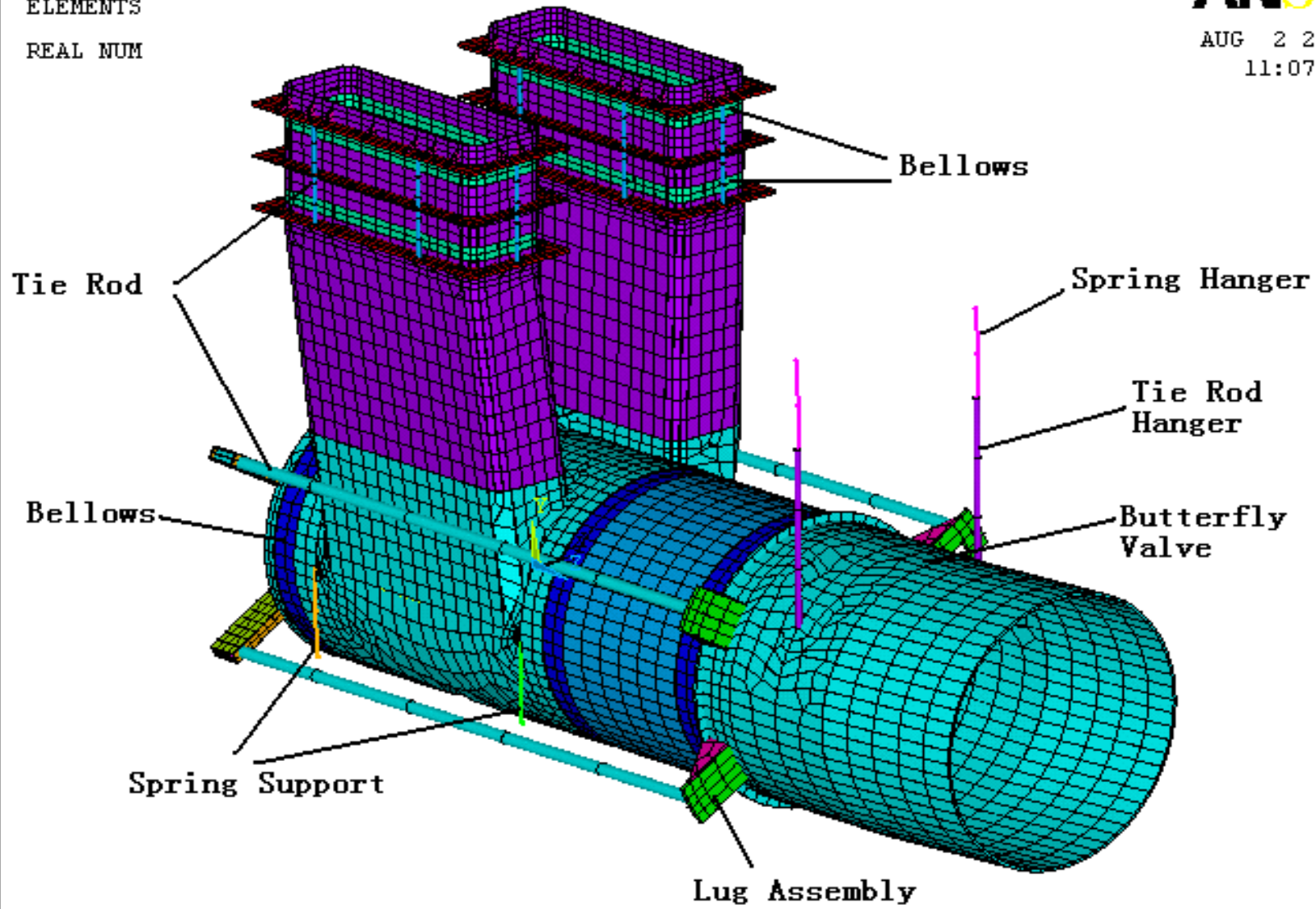
ELEMENTS

REAL NUM

ANSYS

AUG 2 2002

11:07:39



1

NODAL SOLUTION

STEP=1

SUB =1

TIME=1

SINT (AVG)

TOP

DMX =16.465

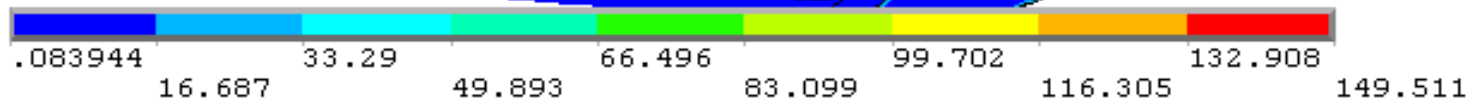
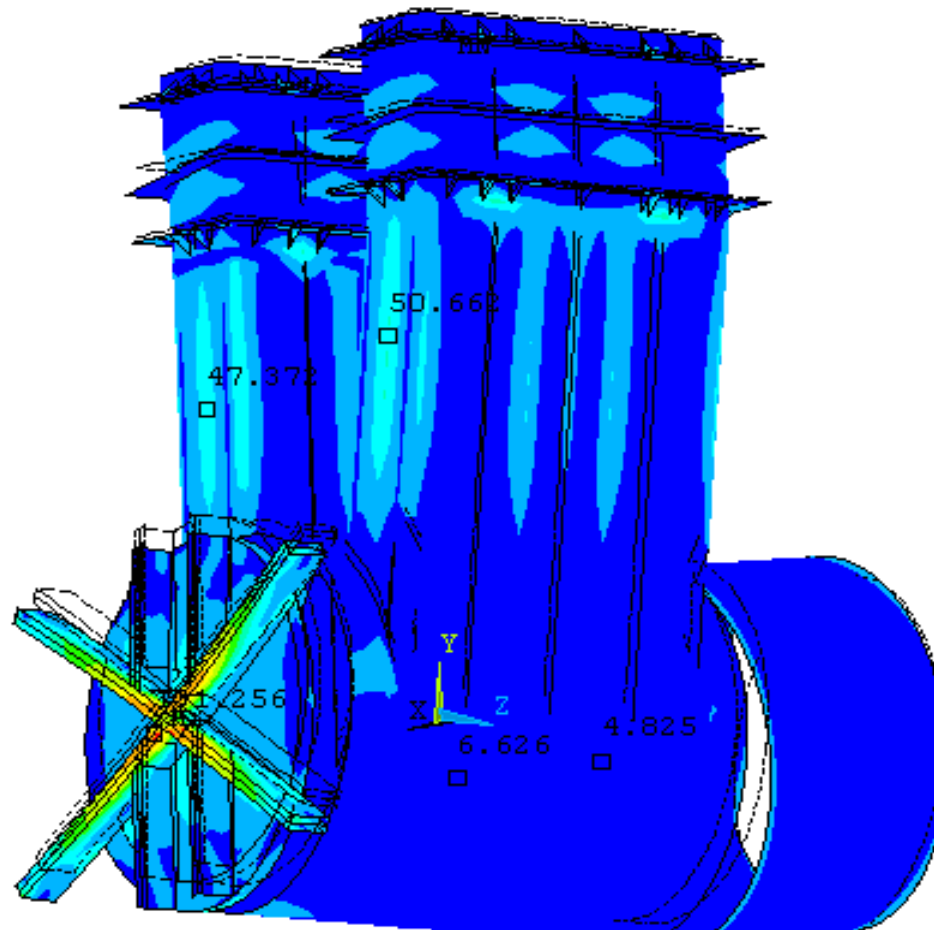
SMN =.083944

SMX =149.511

ANSYS

AUG 3 2002

16:41:41



Load Case 5: W+P(-0.1)+DIS+T(130)

1

NODAL SOLUTION

STEP=1

SUB =1

TIME=1

SEQV (AVG)

DMX =4.852

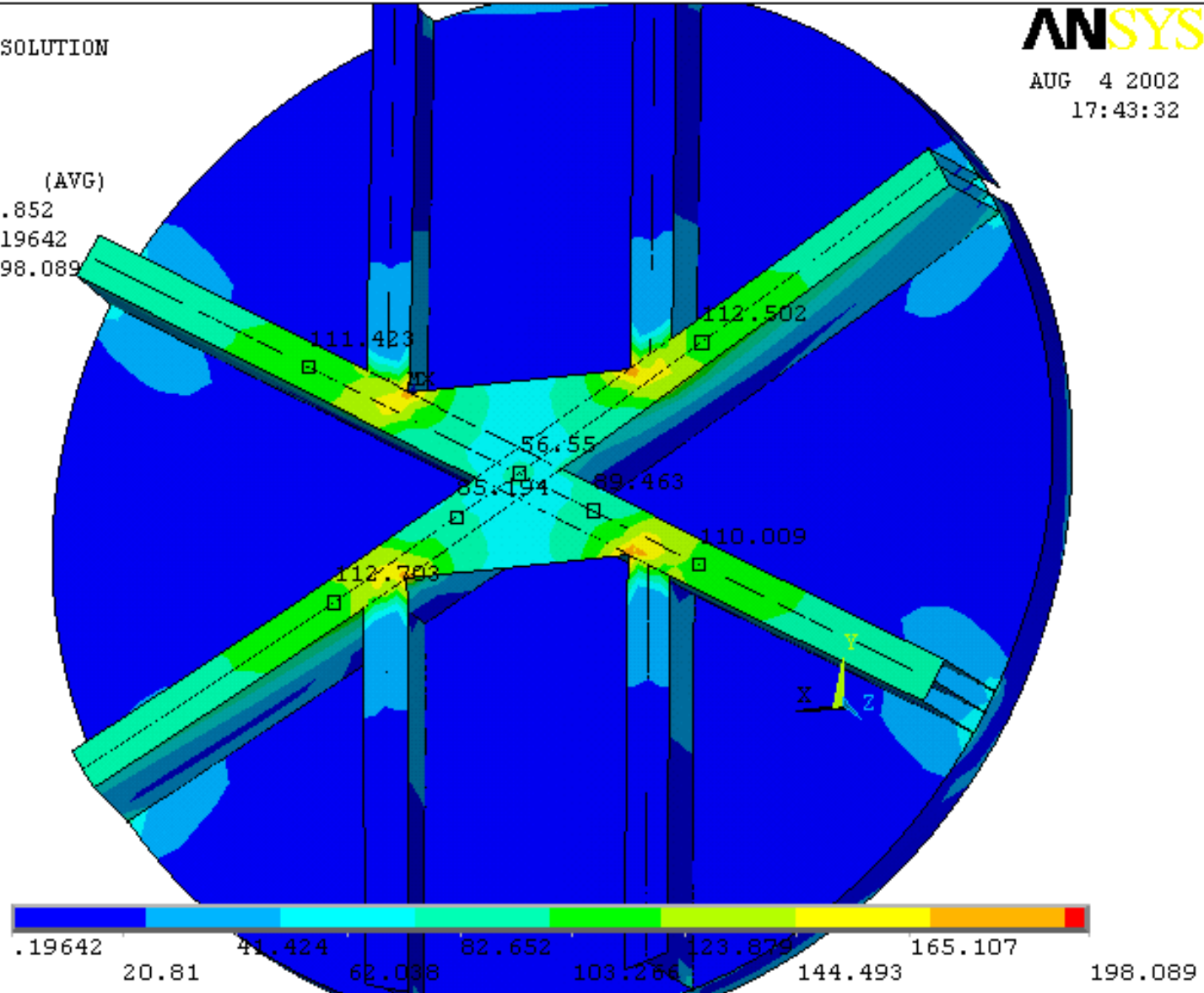
SMM =.19642

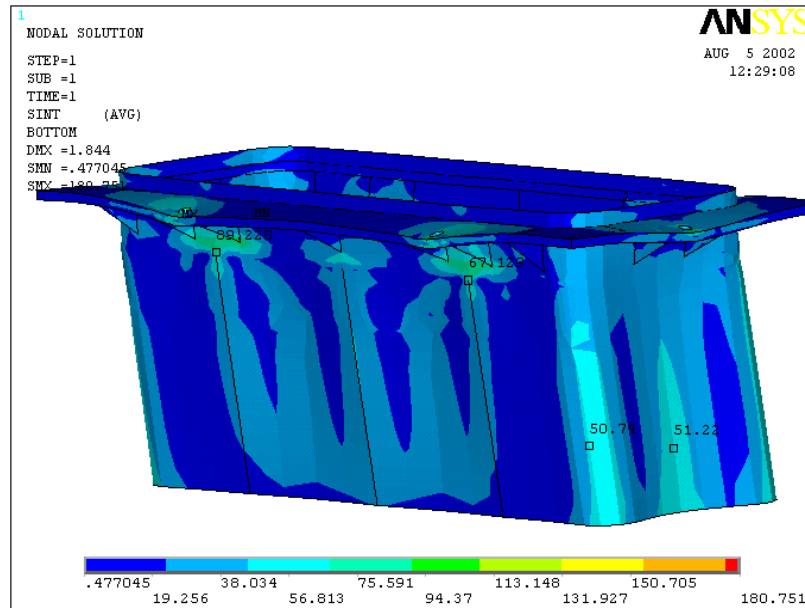
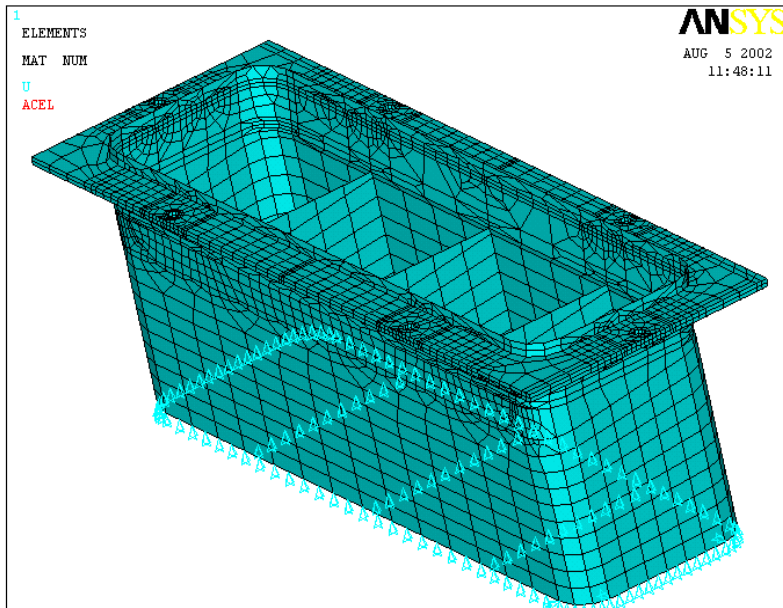
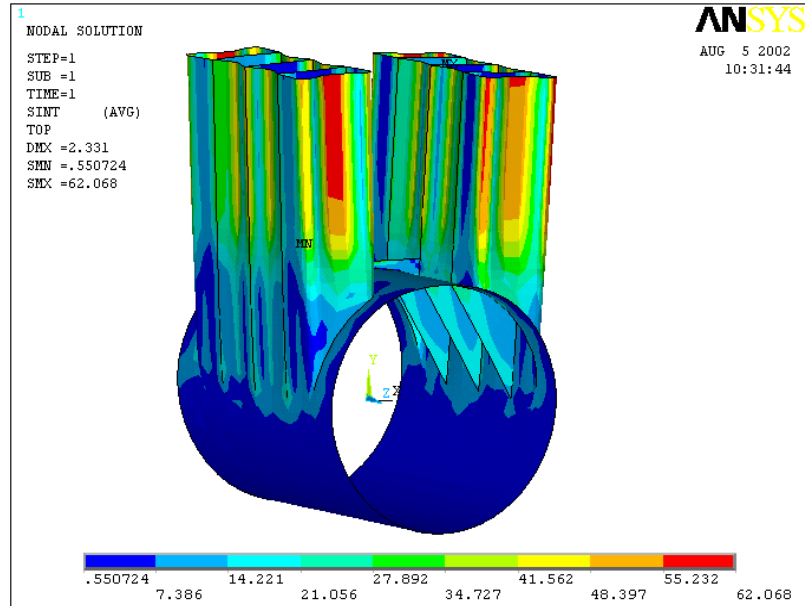
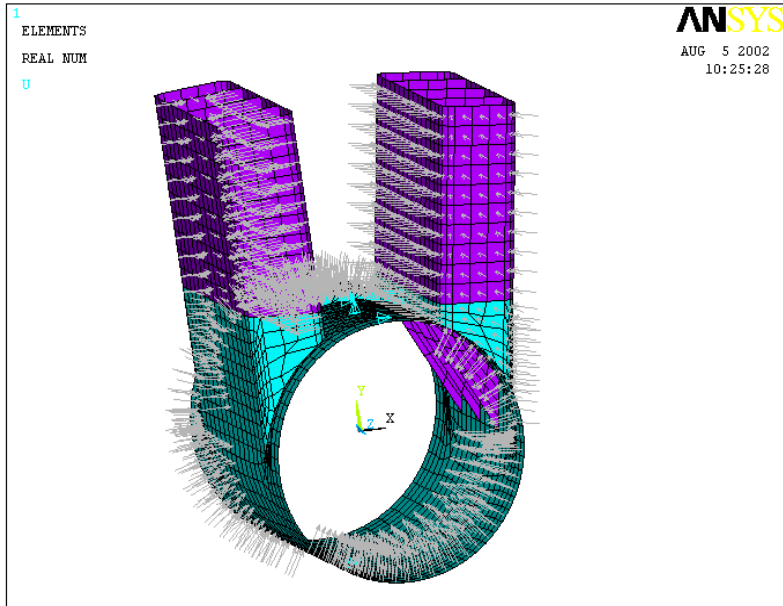
SMX =198.089

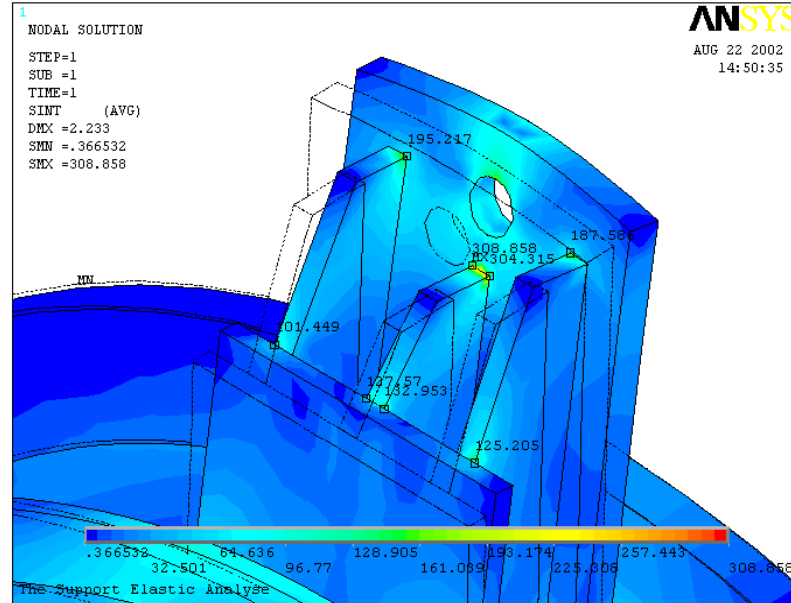
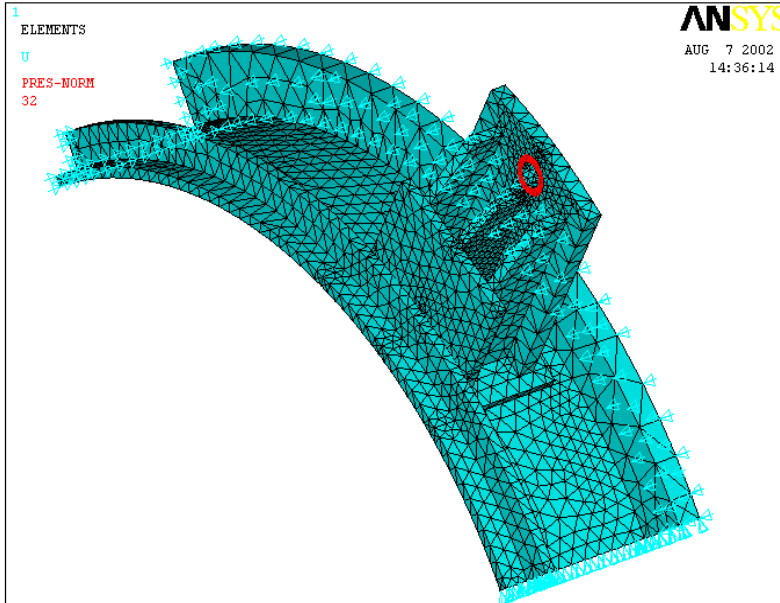
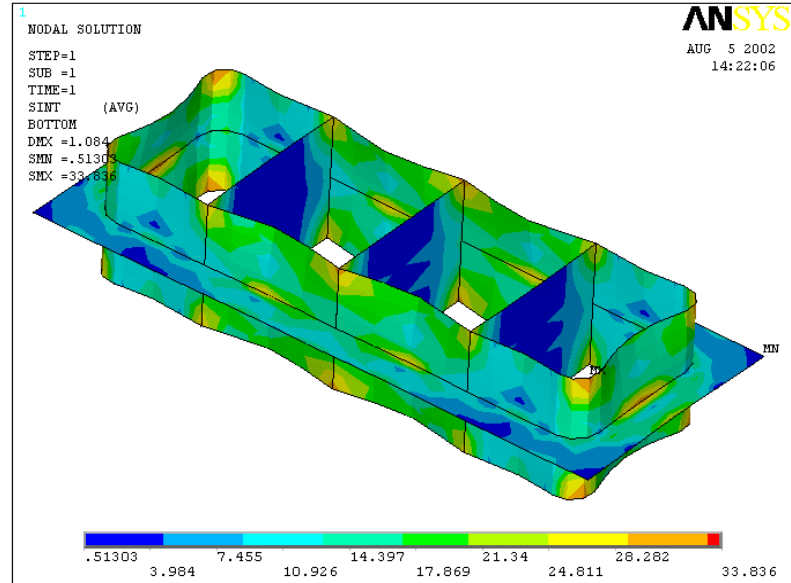
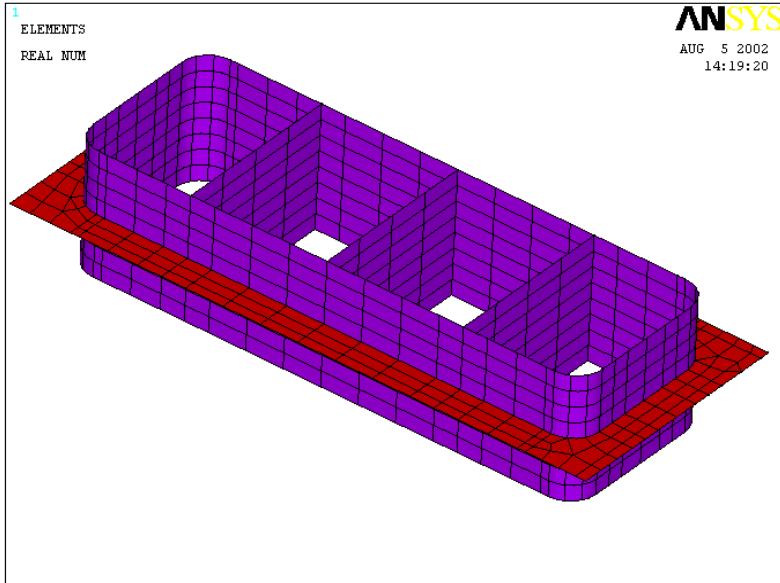
ANSYS

AUG 4 2002

17:43:32



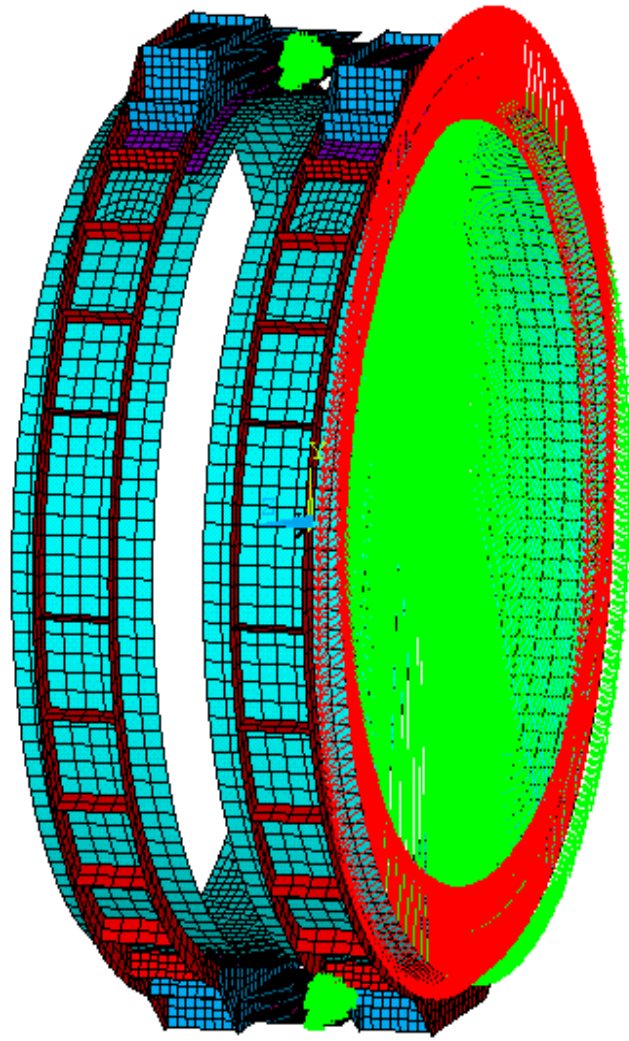




1
ELEMENTS
REAL NUM
F
CP

ANSYS

NOV 6 2005
15:31:34



1

ELEMENTS

REAL NUM

ANSYS

MAR 9 2004

22:15:58

