

1

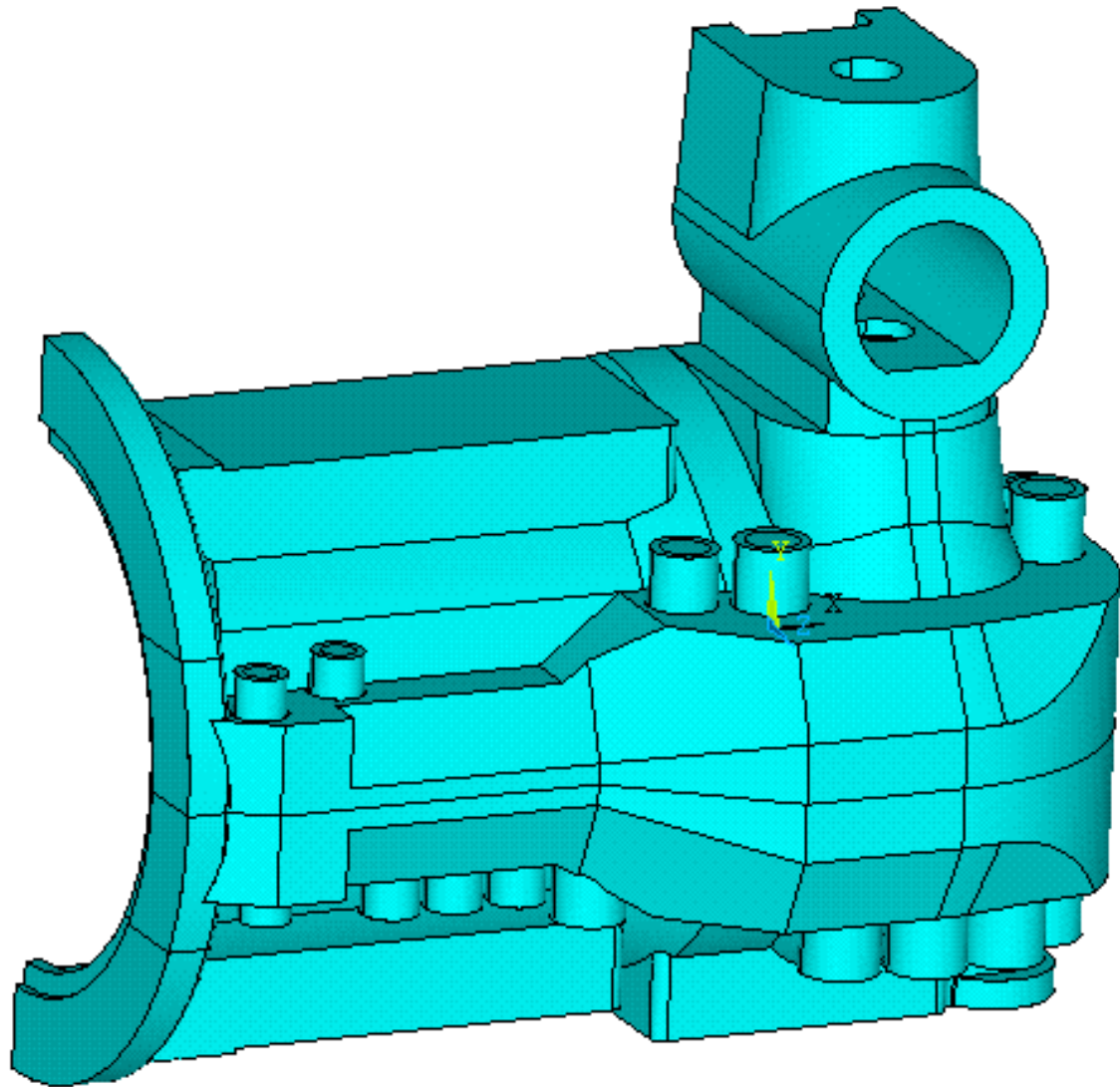
AREAS

TYPE NUM

ANSYS

MAR 17 2003

09:34:29



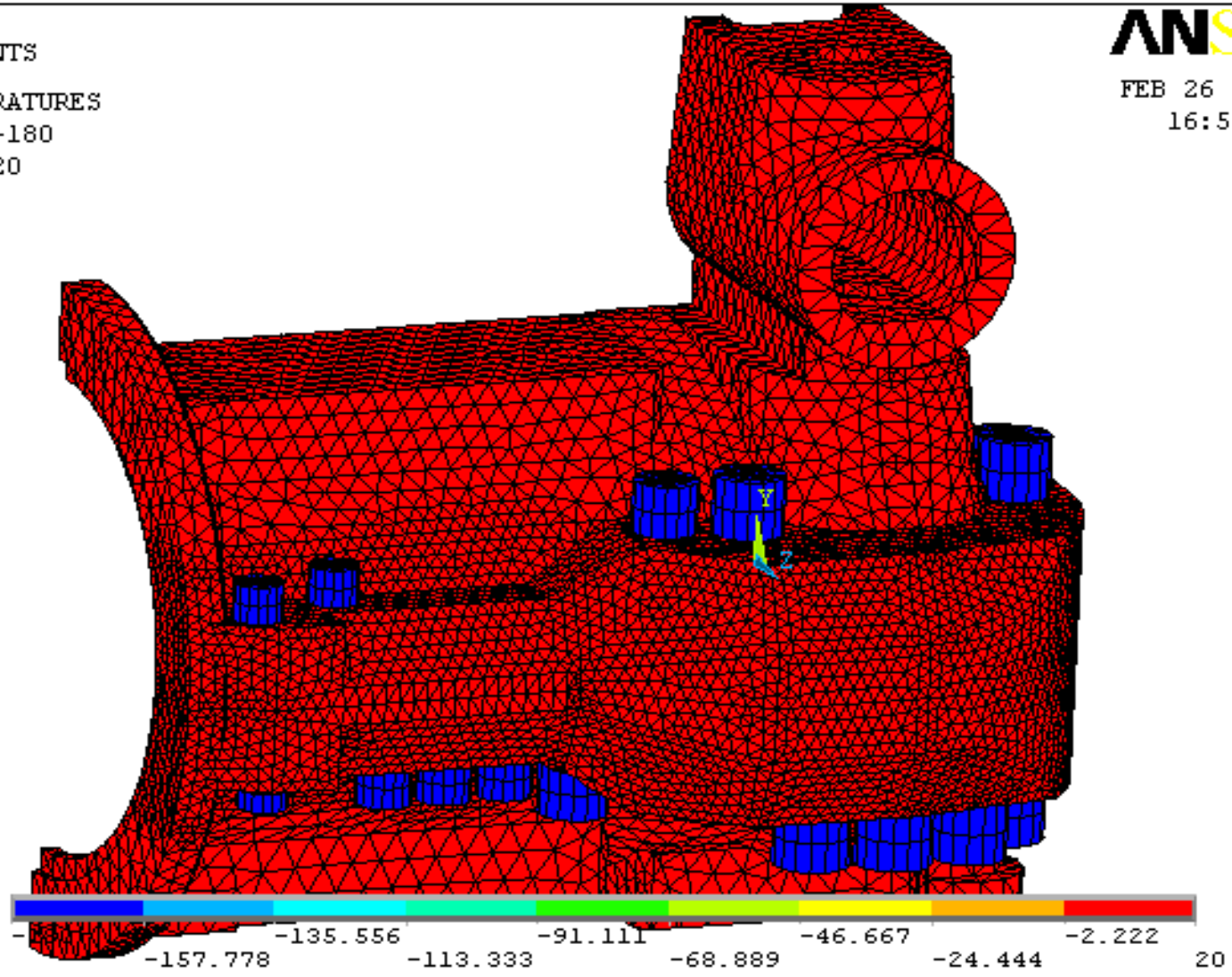
File: ANDOWN

1

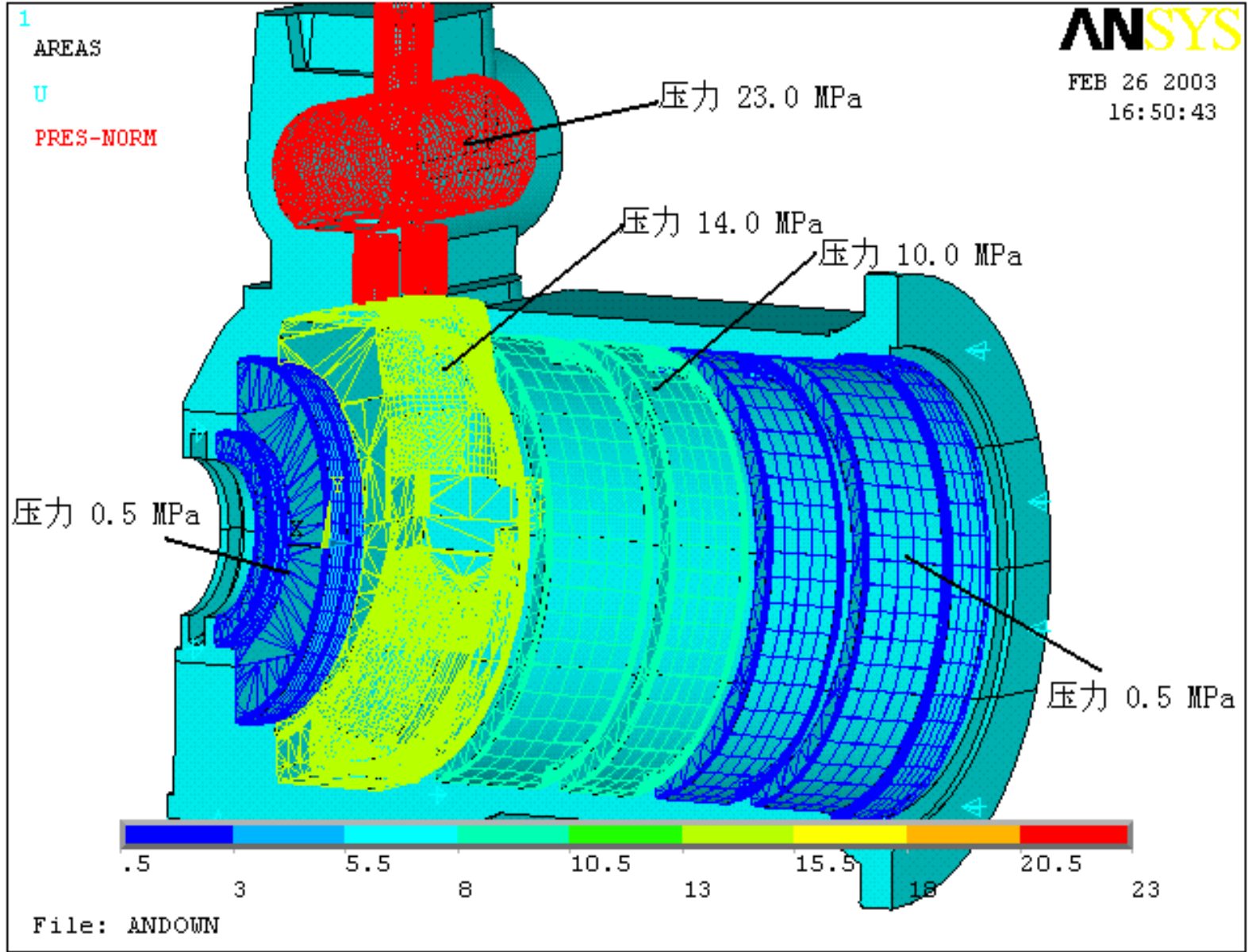
ELEMENTS
TEMPERATURES
TMIN=-180
TMAX=20

ANSYS

FEB 26 2003
16:52:29



File: ANDOWN



1

NODAL SOLUTION

STEP=1

SUB =1

TIME=1

UY (AVG)

RSYS=0

DMX =.660156

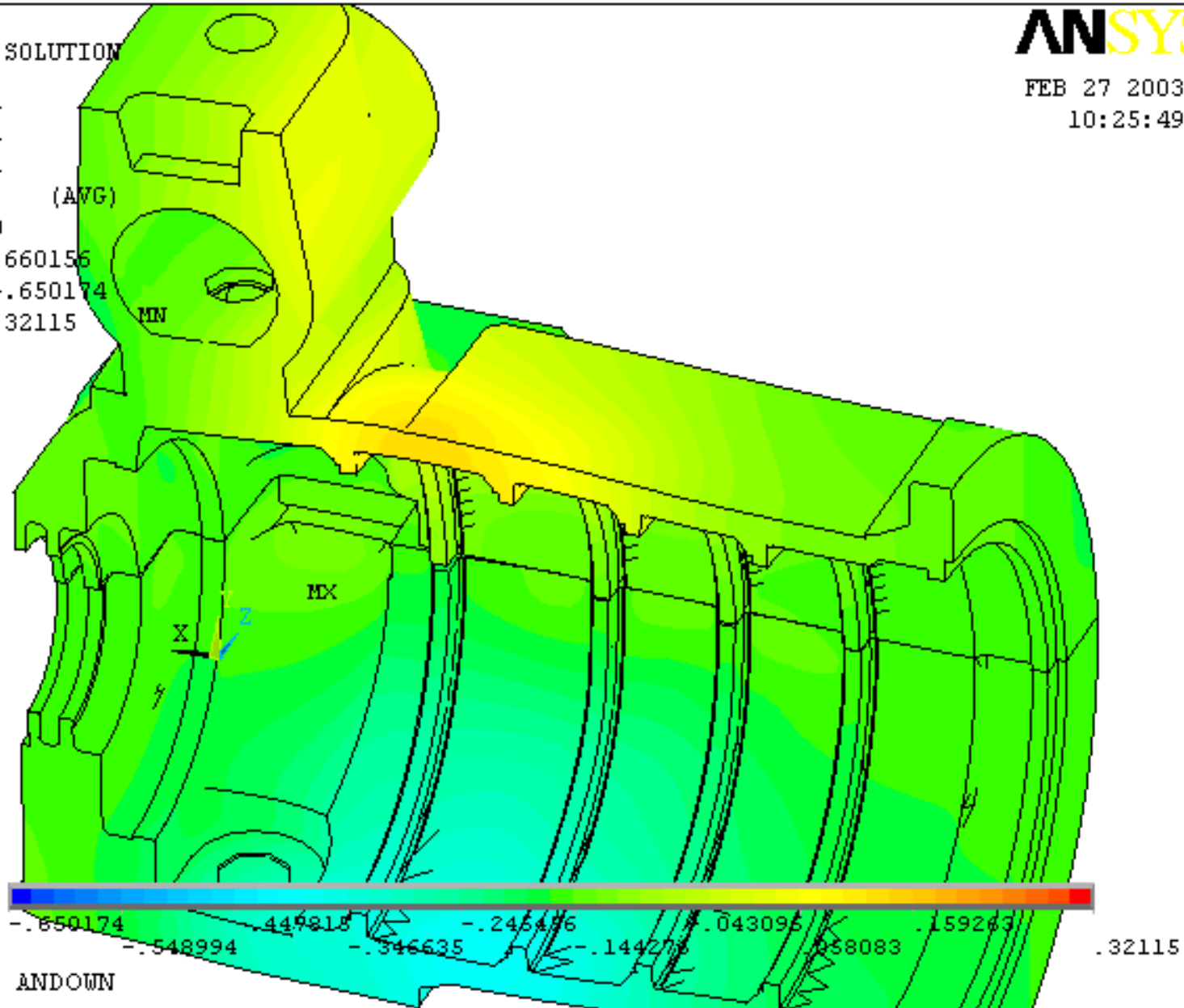
SMN =-.650174

SMX =.32115

ANSYS

FEB 27 2003

10:25:49



1

NODAL SOLUTION



FEB 27 2003

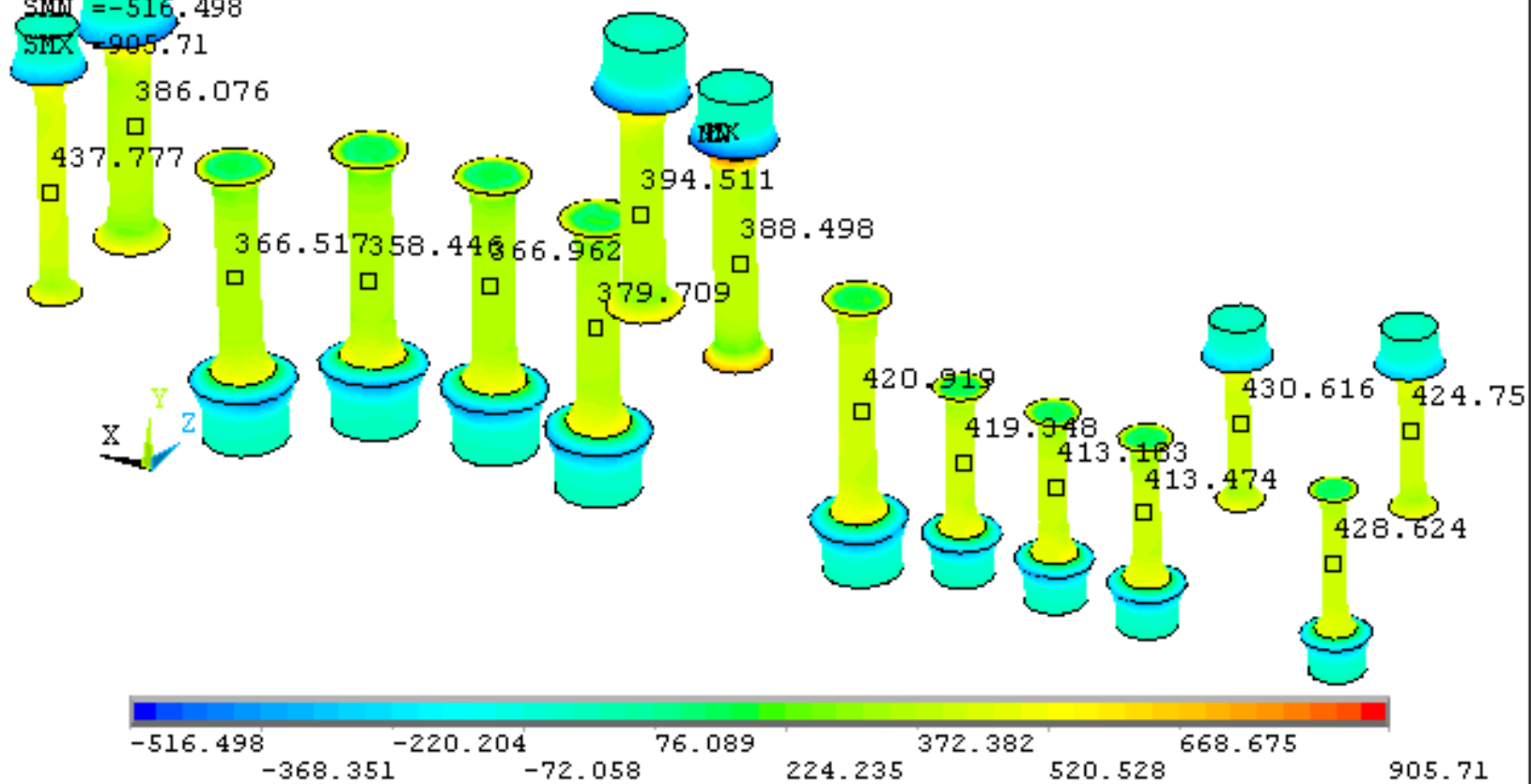
10:22:19

STEP=1
SUB =1
TIME=1
SY (AVG)
RSYS=0

DMX =.660156

SMM =-516.498

SIX =905.71



File: ANDOWN

1

NODAL SOLUTION

STEP=1

SUB =1

TIME=1

CONTGAP (AVG)

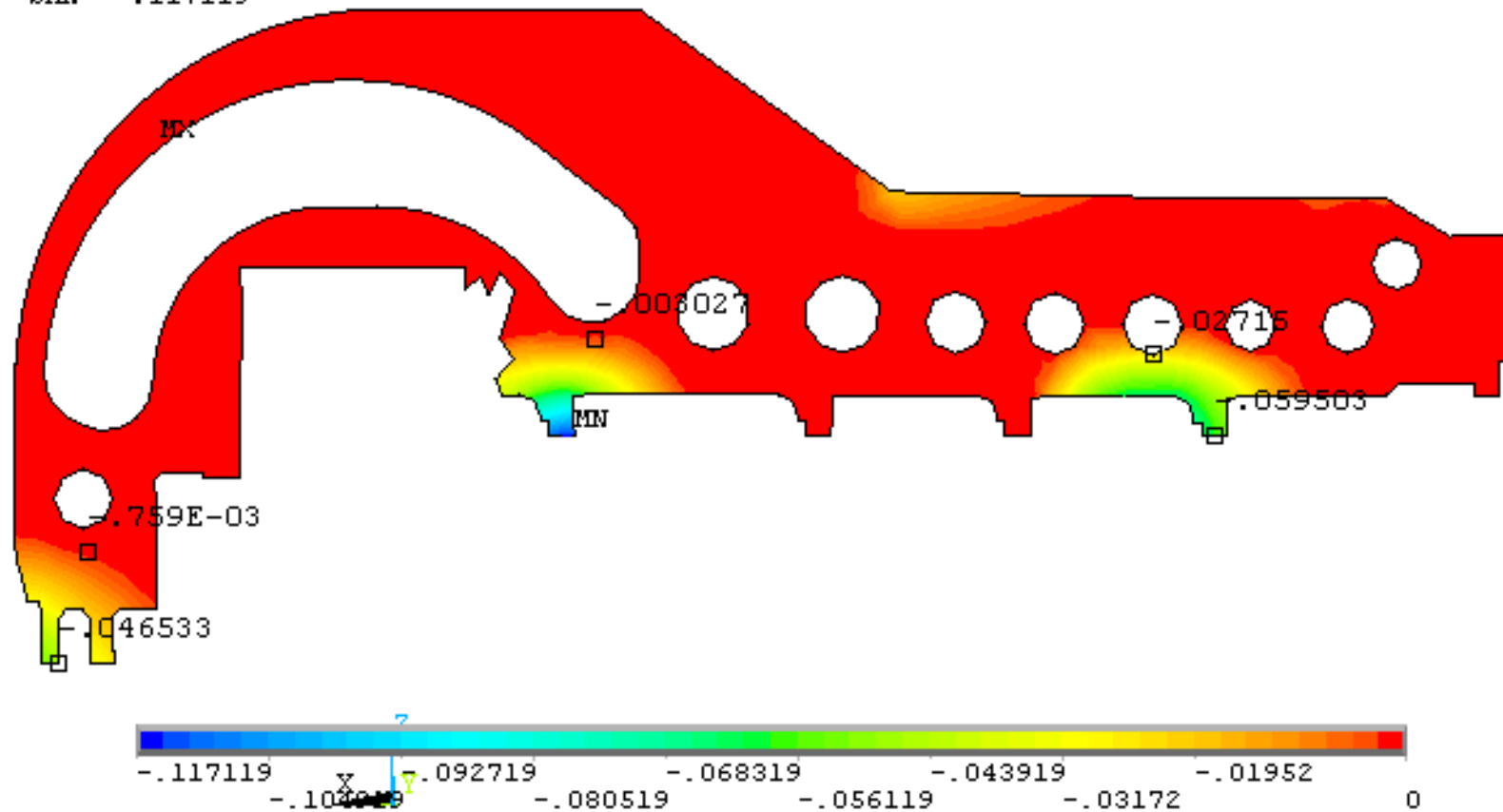
DMX =10.086

SMN =-.117119

ANSYS

MAR 23 2003

12:55:11



File: ANDOWN

1

NODAL SOLUTION

STEP=1

SUB =1

TIME=1

CONTPRES (AVG)

RSYS=0

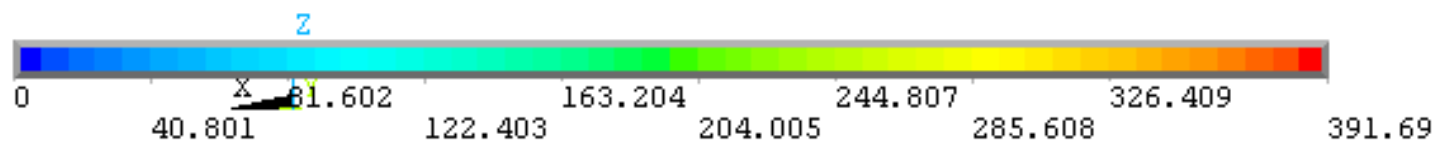
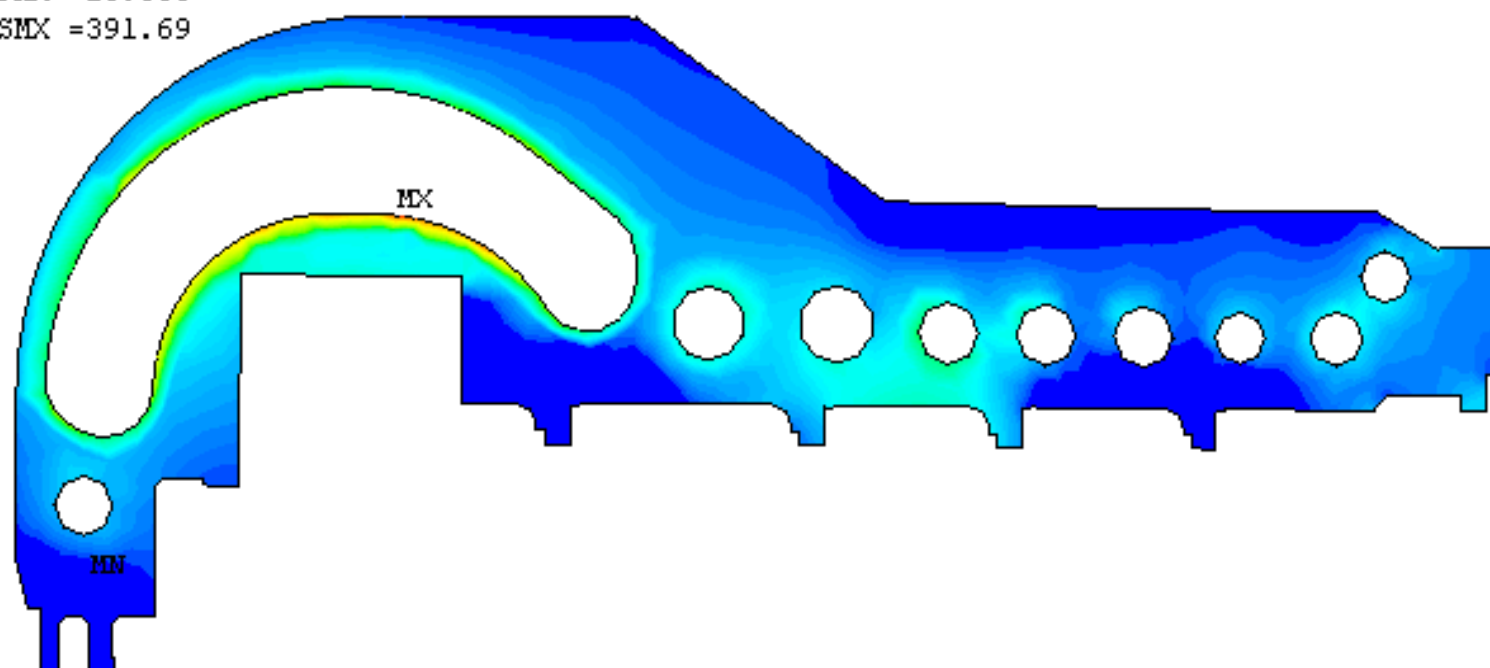
DMX =10.086

SMX =391.69

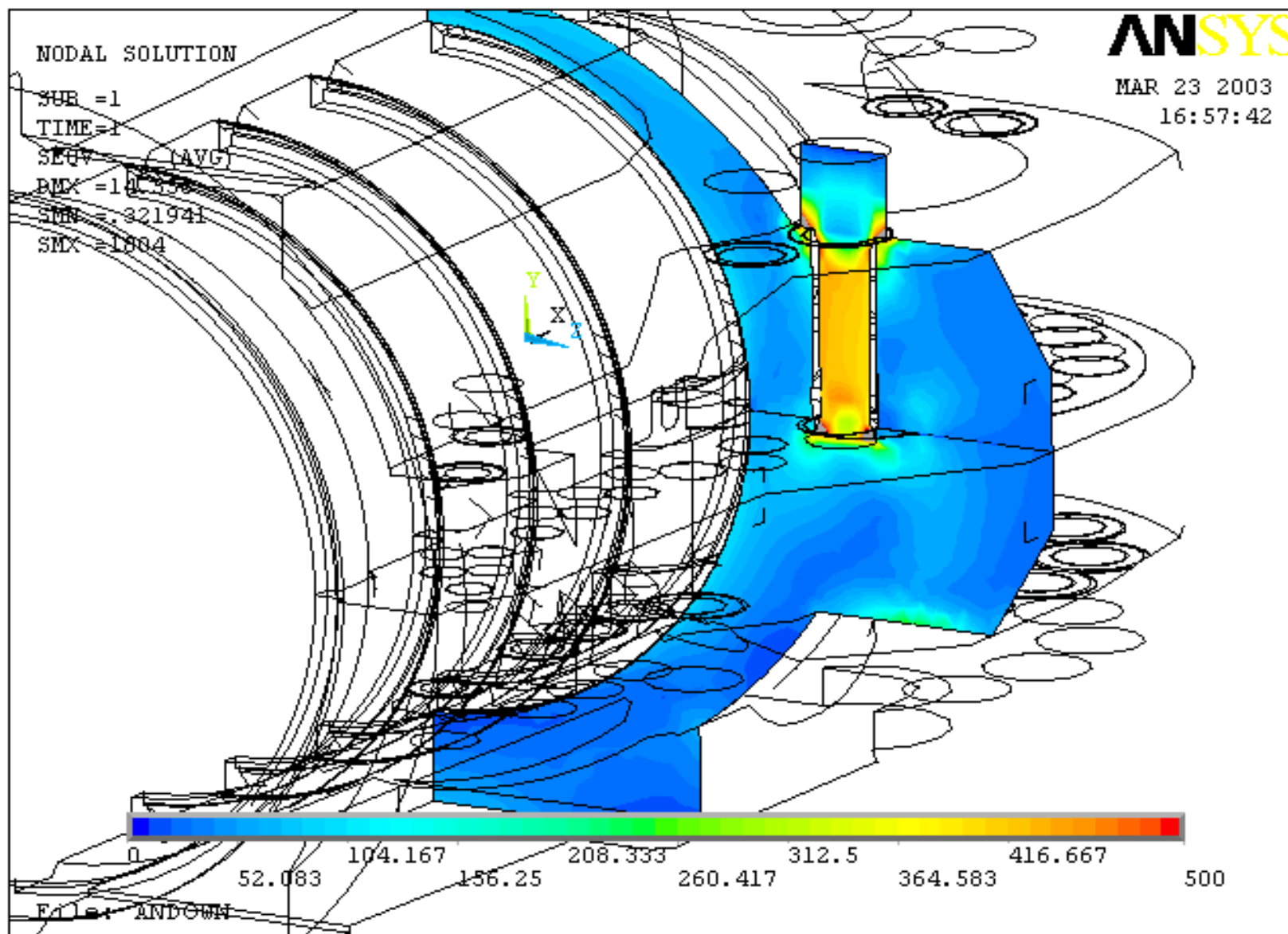
ANSYS

MAR 23 2003

12:50:20



File: ANDOWN



汽缸与螺栓联接应力切片图